

Part Number: PT347-00101

Kit Contents

Item #	Quantity Reqd.	Description
1	1	Spider Net

Hardware Bag Contents

Item #	Quantity Reqd.	Description
1	N/A	

Additional Items Required For Installation

Item #	Quantity Reqd.	Description
1	N/A	

Conflicts

None

Recommended Tools

Personal & Vehicle Protection	Notes
None	
Special Tools	Notes
None	
Installation Tools	Notes
None	
Special Chemicals	Notes
None	

General Applicability

All

Recommended Sequence of Application

Item #	Accessory
1	


*Mandatory


NOTE: Part number of this accessory may not be the same as the part number shown.


Vehicle Service Parts (may be required for reassembly)


Item #	Quantity Reqd.	Description


Legend


 **STOP:** Damage to the vehicle may occur. Do not proceed until process has been complied with.

 **OPERATOR SAFETY:** Use caution to avoid risk of injury.

 **CAUTION:** A process that must be carefully observed in order to reduce the risk of damage to the accessory/vehicle and to ensure a quality installation.

 **TOOLS & EQUIPMENT:** Used in Figures calls out the specific tools and equipment recommended for this process.

 **REVISION MARK:** This mark highlights a change in installation with respect to previous issue.

 **SAFETY TORQUE:** This mark indicates that torque is related to safety.

Care must be taken when installing this accessory to ensure damage does not occur to the vehicle. The installation of this accessory should follow approved guidelines to ensure a quality installation.

These guidelines can be found in the "Accessory Installation Practices" document.

This document covers such items as:-

- Vehicle Protection (use of covers and blankets, cleaning chemicals, etc.).
- Safety (eye protection, rechecking torque procedure, etc.).
- Vehicle Disassembly/Reassembly (panel removal, part storage, etc.).
- Electrical Component Disassembly/Reassembly (battery disconnection, connector removal, etc.).

Please see your Toyota dealer for a copy of this document.

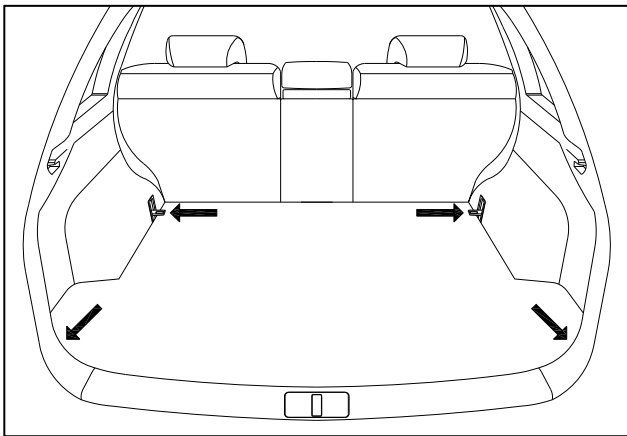


Fig. 1-1

1. Installation of Spider Net

- (a) Open vehicle rear cargo door, locate and pull down the four fold-out D-rings as shown. (Fig. 1-1)

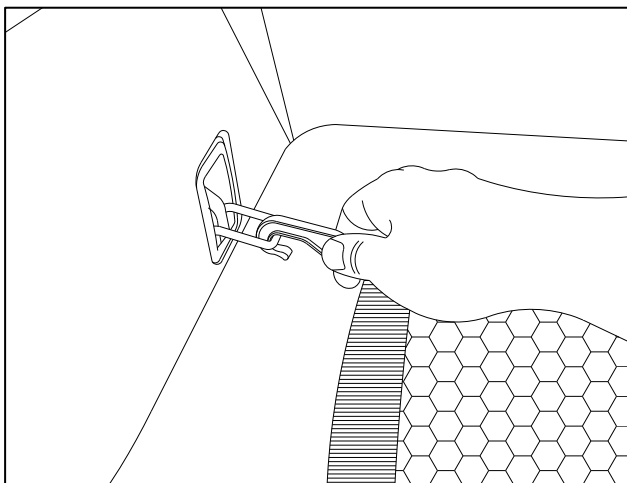


Fig. 1-2

- (b) Orient spider net on the cargo floor so cloth pull tab is located at the rear of the vehicle. Attach the net's front driver side hook to the forward D-ring as shown. (Fig. 1-2)

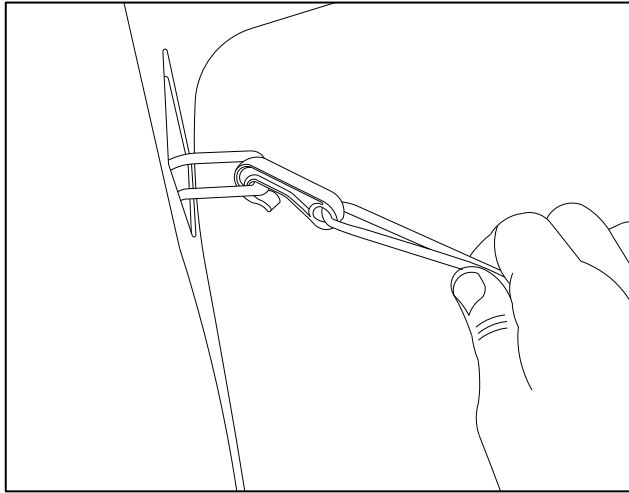


Fig. 1-3

(c) Attach the spider net's rear driver side hook to the rear D-ring as shown. (Fig. 1-3)

(d) Repeat steps 1(b) & 1(c) for the passenger side of vehicle

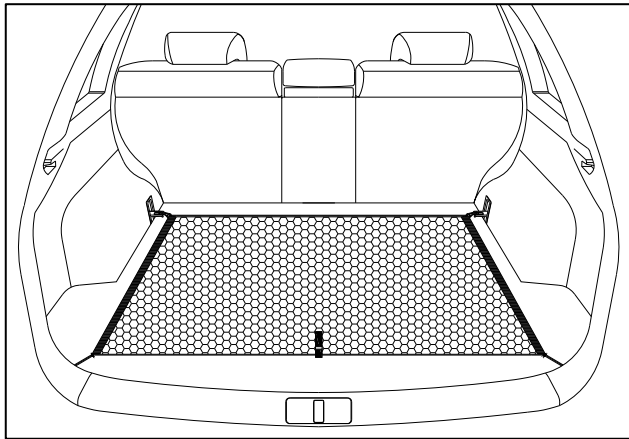


Fig. 1-4

(e) Completed assembly as shown. (Fig 1-4)

Checklist - these points **MUST** be checked to ensure a quality installation.

<u>Check:</u>	<u>Look For:</u>
<p><u>Accessory Function Checks</u></p> <p><input type="checkbox"/> Confirm the net is attached properly to the D-rings in the vehicle.</p> <p><input type="checkbox"/> Pull Tab orientation</p>	<p>Ensure the net hooks are attached securely to all D-rings and not twisted.</p> <p>Ensure the net's cloth pull tab is located at the rear of the cargo area.</p>
<p><u>Vehicle Function Checks</u></p> <p><input type="checkbox"/> Rear cargo door</p>	<p>Ensure the cargo door can open and close freely without interference from net.</p>